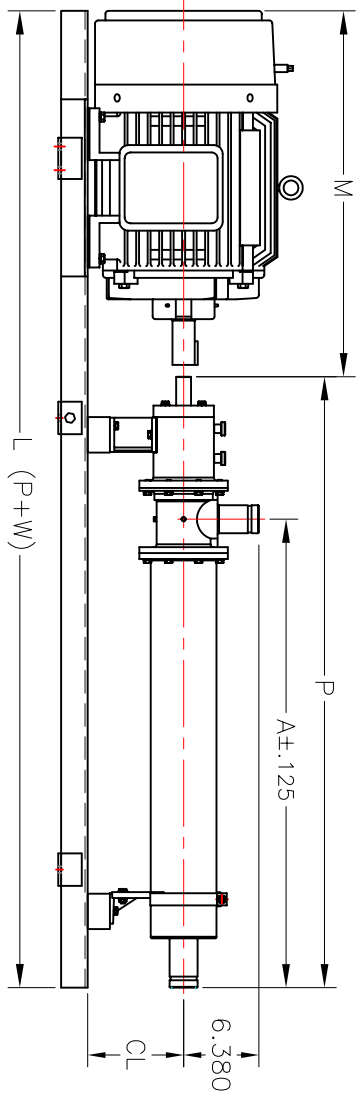
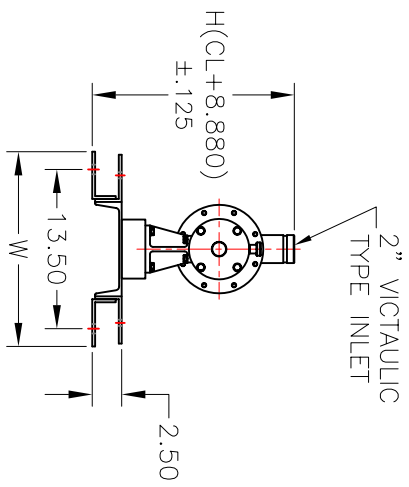
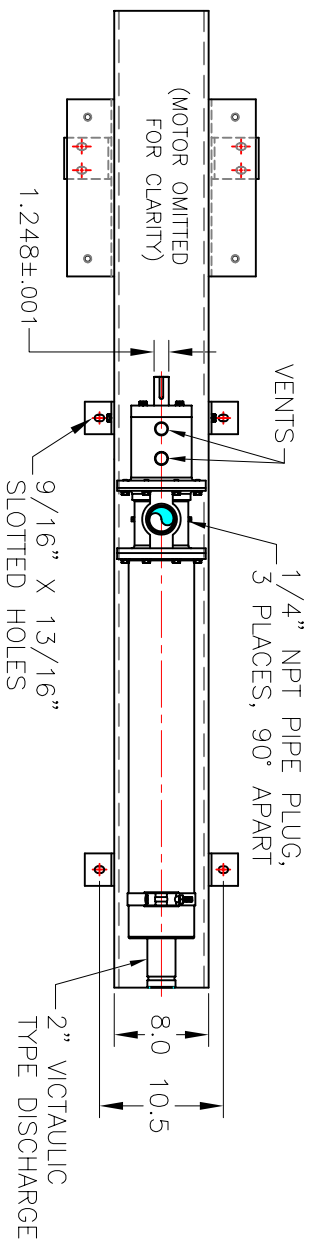



GO TO WWW.IANDPUMP.COM OR CONTACT T&T PUMP FOR DETAILED LAYOUTS OF SPECIFIC APPLICATIONS



HP	NEMA FRAME	CL	M	W
5	184T	6.375	16.2	16.5
7.5	213T	6.375	19.0	16.5
10	215T	6.375	20.1	16.5
15	254T	6.375	23.3	16.5
20	256T	6.375	25.1	16.5
25	284TS	7.125	27.0	16.5
30	286TS	7.125	28.5	16.5
40	324TS	8.125	31.0	16.5
50	326TS	8.125	31.0	16.5
60	364TS	9.125	33.1	16.5
75	365TS	9.125	33.1	21.3

MODEL	A	P
NH76_3	18.62	30.70
NH76_6	20.25	32.33
NH76_7	21.88	33.96
NH76_9	25.14	37.22
NH76_10	26.77	38.85
NH76_12	30.03	42.11
NH76_15	34.92	47.00
NH76_18	39.81	51.89
NH76_19	41.44	53.52
NH76_20	44.70	55.15
NH76_21	46.33	56.78
NH76_22	47.56	58.41
NH76_24	49.19	60.04
NH76_27	54.08	64.93

- NOTES:
1. THIS CATALOG IS INTENDED FOR PRELIMINARY ESTIMATION ONLY.
 2. DIMENSIONS (INCHES) ARE FOR REFERENCE ONLY UNLESS NOTED.
 3. TO CALCULATE TOTAL LENGTH "L", ADD DIMENSIONS P+M.
 4. TO CALCULATE TOTAL HEIGHT "H", ADD DIMENSIONS CL+8.880.
 5. FOR PUMP LENGTHS NOT LISTED, EACH STAGE IS 1.63".
 6. A "C" BEARING FRAME (GREASABLE) IS DEPICTED IN THIS DRAWING.
 7. "D" BEARING FRAMES (OIL-FILLED) ARE ALSO AVAILABLE.
 8. MOTOR COUPLER AND SHIELD OMITTED FOR CLARITY.



T&T PUMP

UNLESS OTHERWISE NOTED LINEAR DIMS. IN INCHES: TOLERANCES DECIMAL FRACTIONS ANGULAR ±.004/- ±.004/- ±.004/- DO NOT SCALE DRAWING Drawing no.	T&T PUMP CO., INC. FAIRMONT, WV 26554
DRAWN: CWR CHECK: [] DESIGN: [] ENGR: []	DRAWING TITLE H/NH76C OUTLINE
SCALE: non-RELEASE DATE: 6-9-08 Sheet 1 of 1	CAD FILE: H-NH76C OUTLINE