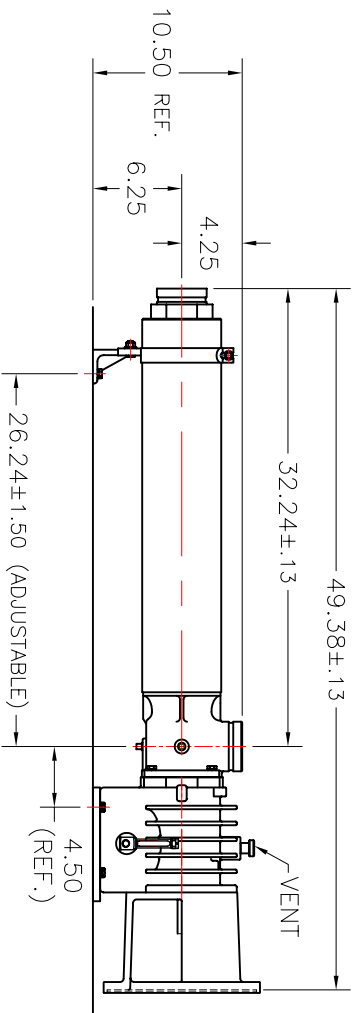
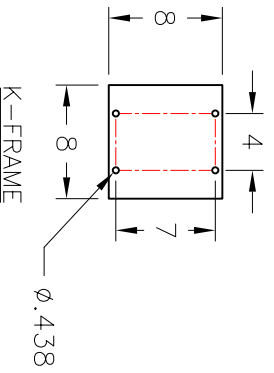
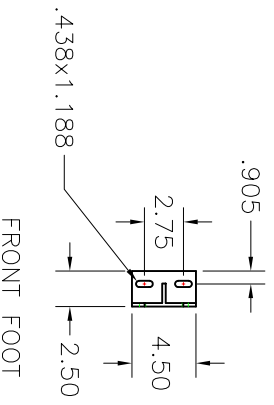
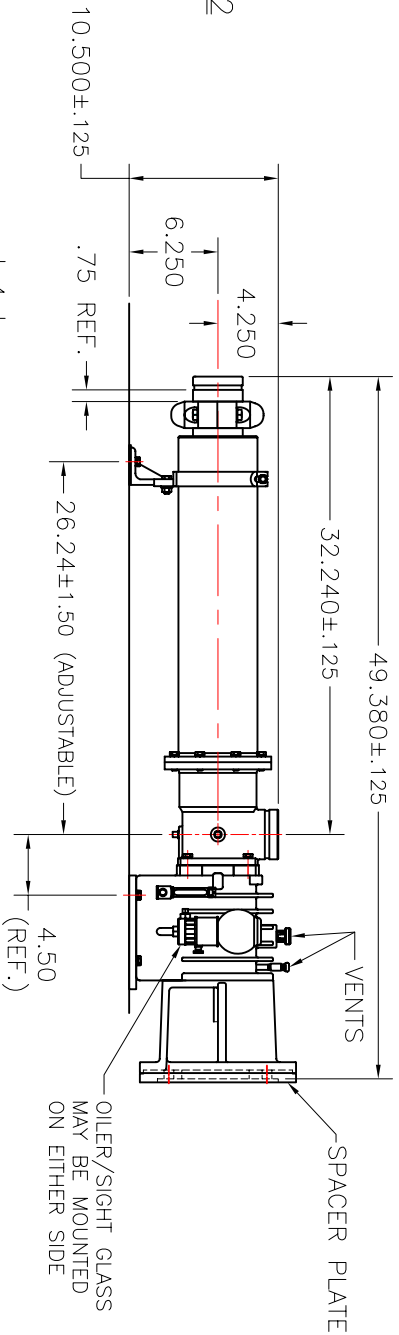



- NOTES:
1. DIMENSIONS ARE IN INCHES.
  2. INLET CONNECTION MATES WITH 3" VICTAULIC TYPE CLAMPED UNION.
  3. DISCHARGE CONNECTION MATES WITH 3" VICTAULIC TYPE CLAMPED UNION.
  4. **SPECIAL MECHANICAL MODIFICATIONS MAY SUPERCEDE DIMENSIONS WHICH ARE A FUNCTION OF THE MODIFICATION.**
  5. DIMENSIONS RELATED TO OR DEPENDENT ON MOTOR ARE BASED ON STANDARD EFFICIENCY TEFC 215TS C-FACE SIEMENS MOTOR.
  6. FOR PUMPS REQUIRING DIFFERENT FRAME SIZES THAN SHOWN, CONTACT FACTORY FOR DIMENSIONS.
  7. SEE PUMP INSTRUCTION FOR ADDITIONAL INSTALLATION, START-UP, AND MAINTENANCE INFORMATION.

TONKAFLO  
SS5512KZB



T&T NH76K4F12



		UNLESS OTHERWISE NOTED	
		LINEAR DIMS. IN INCHES	
TOLERANCES DECIMAL		FRACTIONS	
XXX+/-		1/8" ANGULAR	
XXX+/-		+/-	
DO NOT SCALE DRAWING			
Drawing no.			
DRAWN	CWR	7-14-09	
CHECK			
DESIGN			
ENGR			
DRAWING TITLE		T&T Pump Co., Inc. FAIRHONT, WV 26554	
NH76K4F12 TO SS5512KZB			
LAYOUT COMPARISON			
DWG		CAD file	
A		NH76K4F12 TO SS5512KZB LAYOUT	
SCALE nom RELEASE DATE 7-14-09 Sheet 1 of 1			