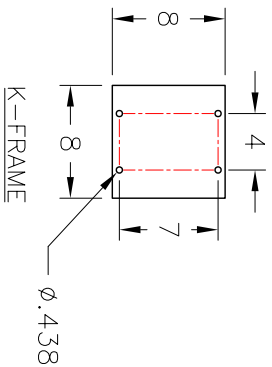
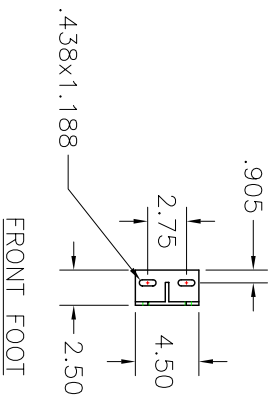
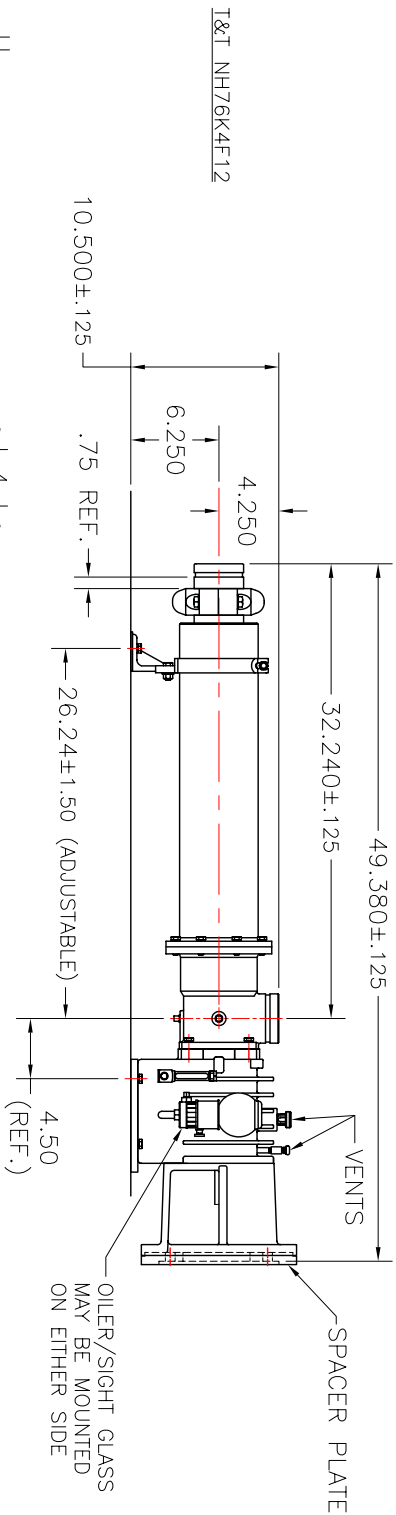
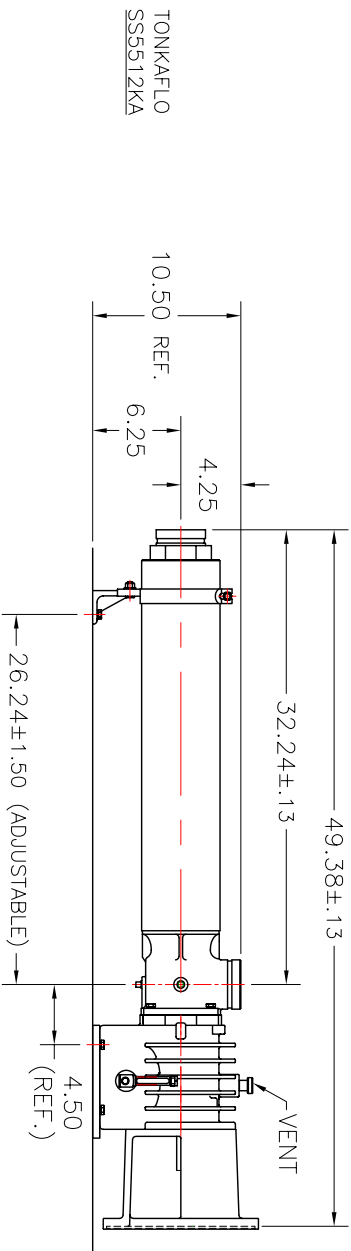



- NOTES:
1. DIMENSIONS ARE IN INCHES.
 2. INLET CONNECTION MATES WITH 3" VICTAULIC TYPE CLAMPED UNION.
 3. DISCHARGE CONNECTION MATES WITH 3" VICTAULIC TYPE CLAMPED UNION.
 4. SPECIAL MECHANICAL MODIFICATIONS MAY SUPERGEDE DIMENSIONS WHICH ARE A FUNCTION OF THE MODIFICATION.
 5. DIMENSIONS RELATED TO OR DEPENDENT ON MOTOR ARE BASED ON STANDARD EFFICIENCY TEFC 215TS C-FACE SIEMENS MOTOR.
 6. FOR PUMPS REQUIRING DIFFERENT FRAME SIZES THAN SHOWN, CONTACT FACTORY FOR DIMENSIONS.
 7. SEE PUMP INSTRUCTION FOR ADDITIONAL INSTALLATION, START-UP, AND MAINTENANCE INFORMATION.



		UNLESS OTHERWISE NOTED	
		LINEAR DIMS. IN INCHES	
TOLERANCES DECIMAL		FINISH	
.xxx+/-		ANGULAR	
.xxx+/-		+/-	
DO NOT SCALE DRAWING			
Drawing no.			
DRAWN		CWR	
CHECK		8-04-08	
DESIGN			
ENR			
DRAWING TITLE		T&T Pump Co. Inc. FAIRHONT, WV 26554	
NH76K4F12 TO SS5512KA			
LAYOUT COMPARISON			
Dwg. file		CAD file	
A		NH76K4F12 TO SS5512KA LAYOUT	
SCALE non-RELEASE DATE 8-05-08 Sheet 1 of 1			