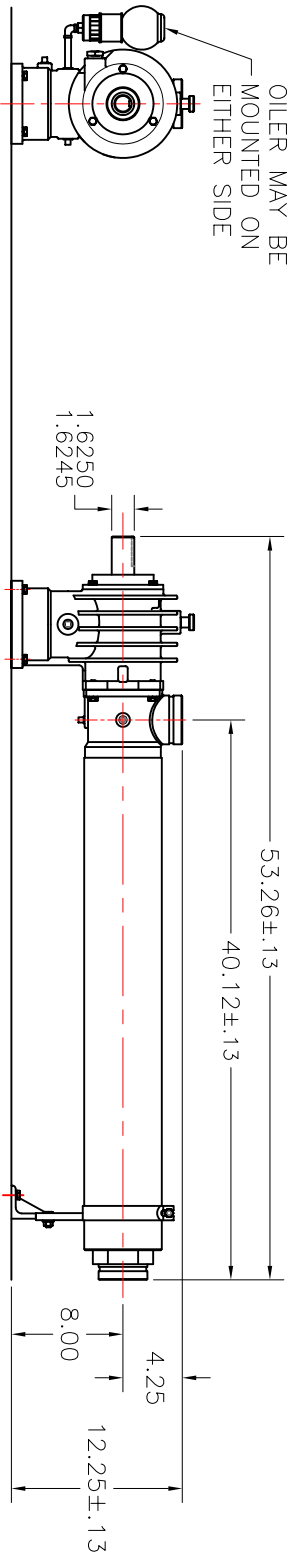
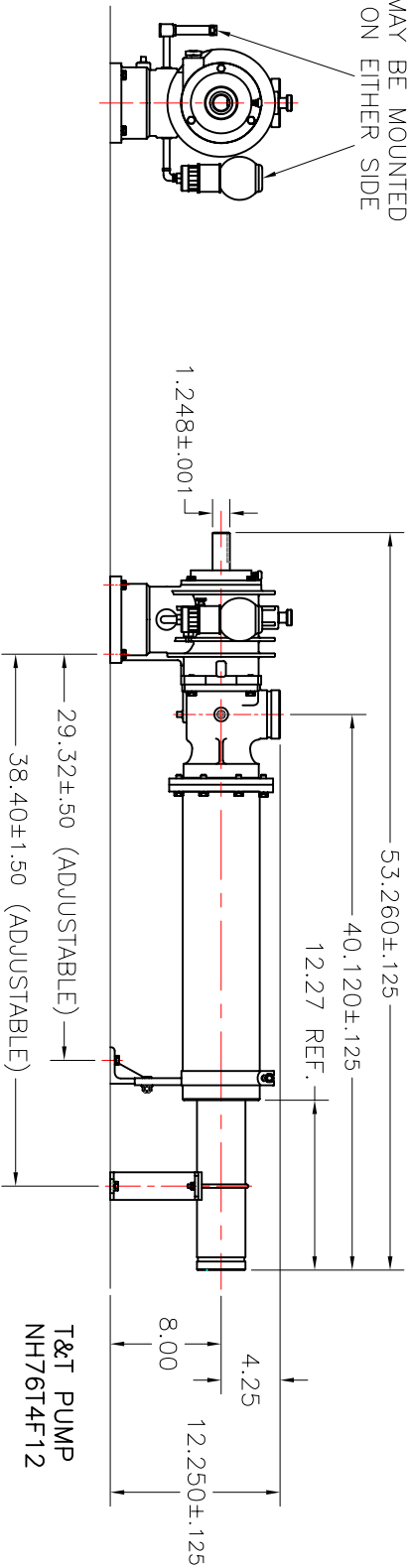


OILER MAY BE MOUNTED ON EITHER SIDE

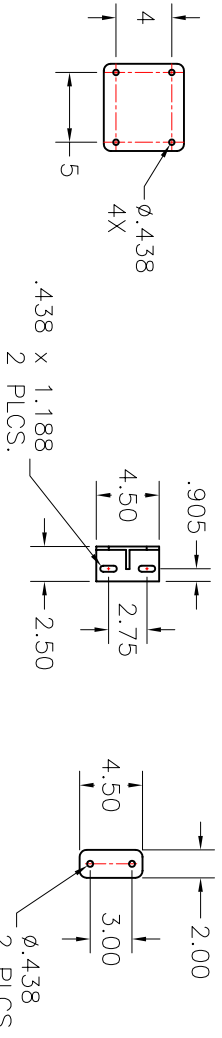


TONKAFLO
SS516E

OILER/SIGHT GLASS MAY BE MOUNTED ON EITHER SIDE



T&T PUMP
NH76T4F12



NOTES:

1. DIMENSIONS ARE IN INCHES. DIMENSIONS ARE FOR REFERENCE UNLESS NOTED.
2. INLET CONNECTION MATES WITH 3" VICTAULIC TYPE CLAMPED UNION.
3. DISCHARGE CONNECTION MATES WITH 3" VICTAULIC TYPE CLAMPED UNION.



UNLESS OTHERWISE NOTED LINEAR DIMS. IN INCHES. TOLERANCES PER ANSI Y14.5 FRACTIONS DECIMAL ANGULAR X.XX/- .0004/- .0004/- .0004/- DO NOT SCALE DRAWING		T&T PUMP CO., INC. FAIRBURY, WV 26554	
DRAWN	CWR	12-18-07	DRAWING TITLE NH76T4F12 TO SS516E COMPARISON
CHECK			
DESIGN			
ENGR			CAD FILE NH76T4F12 TO SSS516E COMPARISON
SCALE: none RELEASE DATE: 5-27-09 Sheet 1 of 1			