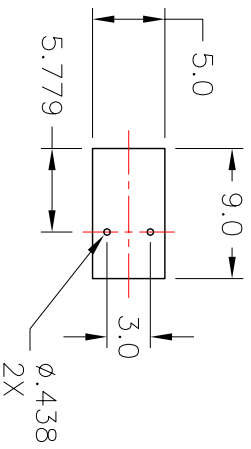
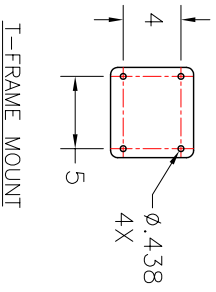
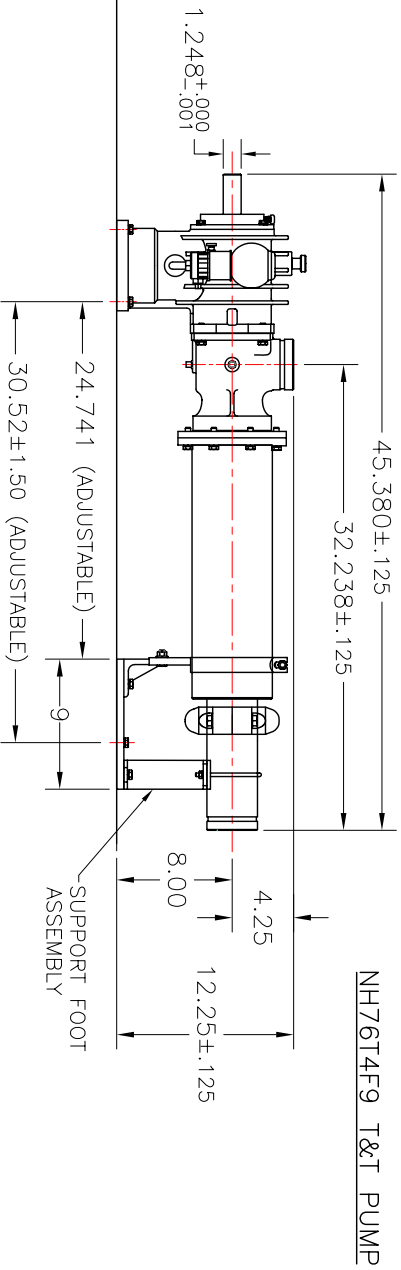



OILER/SIGHT GLASS
MAY BE MOUNTED
ON EITHER SIDE



NOTE: BOTH PUMPS HAVE A 3"
VICTAULIC INLET AND A 3"
VICTAULIC DISCHARGE

		UNLESS OTHERWISE NOTED	
		DIMENSIONS SHOWN IN INCHES	
TOLERANCES DECIMAL		ANGULAR	
XX/-		°/±	
XXX/-		°/±	
DO NOT SCALE DRAWING		DRAWING TITLE	
Drawing no.		NH7614F9 TO	
DRAWN CWR		SS5512E COMPARISON	
CHECK		CAD FILE	
DESIGN		NH7614F9 TO SS5512E COMPARISON	
ENGR		SCALE non-RELEASE DATE 7-31-08 Sheet 1 of 1	