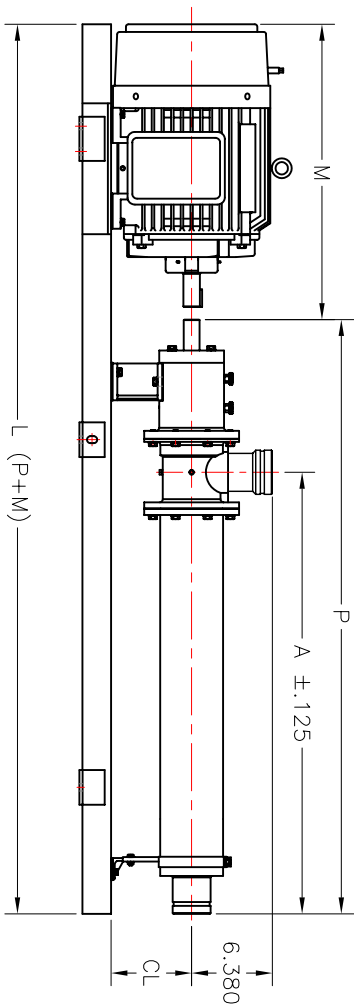
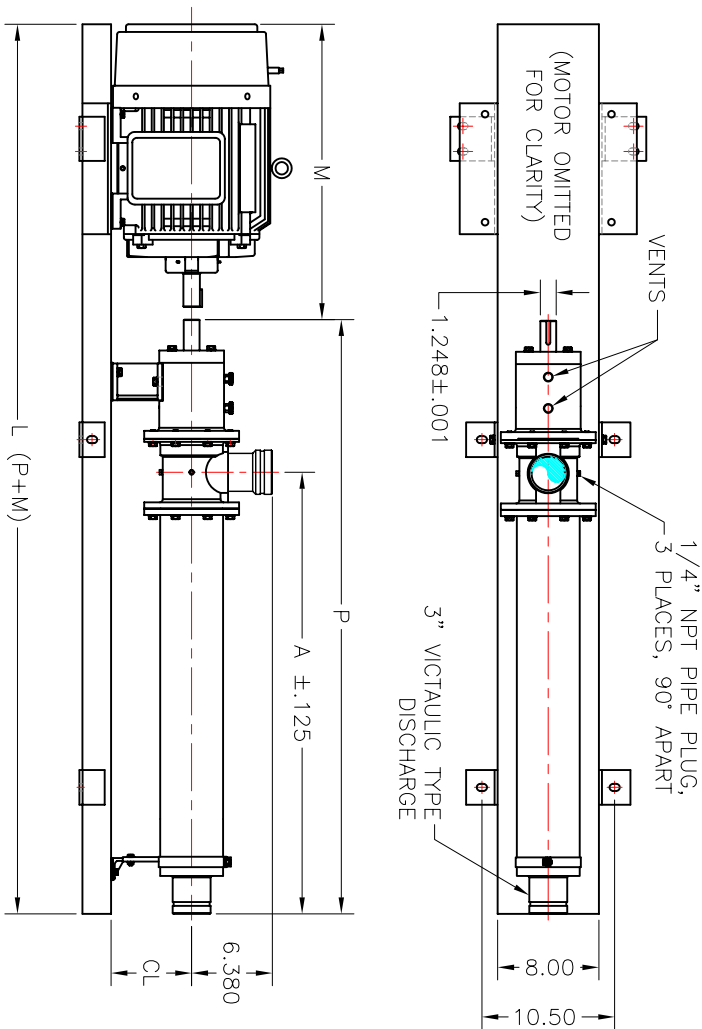
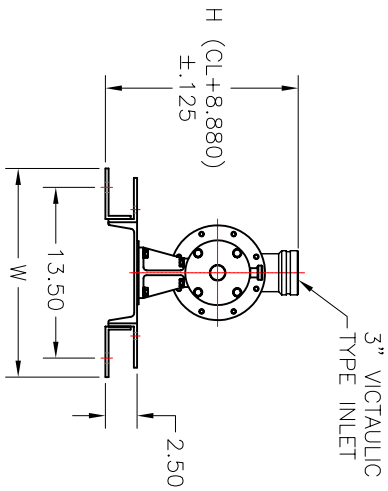


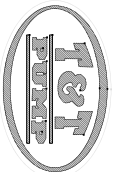
GO TO WWW.TANDTPUMP.COM OR CONTACT T&T PUMP FOR DETAILED LAYOUTS OF SPECIFIC APPLICATIONS



HP	NEMA FRAME	CL	M	W
3.0	182T	6.375	15.2	16.5
5.0	184T	6.375	16.2	16.5
7.5	213T	6.375	19.0	16.5
10	215T	6.375	20.1	16.5
15	254T	6.375	23.3	16.5
20	256T	6.375	25.1	16.5
25	284TS	7.125	27.0	16.5
30	286TS	7.125	28.5	16.5
40	324TS	8.125	31.0	16.5
50	326TS	8.125	31.0	16.5
60	364TS	9.125	33.1	16.5
75	365TS	9.125	33.1	21.3
100	405TS	10.125	38.0	24.3

MODEL	A	P
NH77_3	20.10	32.18
NH77_5	27.66	39.74
NH77_7	35.22	47.29
NH77_9	42.77	54.85
NH77_11	50.33	62.41
NH77_13	57.88	69.96
NH77_15	65.44	77.52
NH77_17	73.00	85.07
NH77_19	80.55	92.63
NH77_21	88.108	100.19
NH77_23	95.66	107.74
NH77_25	103.22	115.30
NH77_27	110.78	122.85
NH77_29	118.33	130.41
NH77_31	125.89	137.97
NH77_33	133.44	145.52
NH77_35	141.00	153.08
NH77_39	156.11	168.19

- NOTES:
1. THIS CATALOG IS INTENDED FOR PRELIMINARY ESTIMATION ONLY.
 2. DIMENSIONS (INCHES) ARE FOR REFERENCE ONLY UNLESS NOTED.
 3. TO CALCULATE TOTAL LENGTH "L", ADD DIMENSIONS P+M.
 4. TO CALCULATE TOTAL HEIGHT "H", ADD DIMENSIONS CL+8.880.
 5. FOR PUMP LENGTHS NOT LISTED, EACH STAGE IS 3.778".
 6. A "C" BEARING FRAME IS DEPICTED IN THIS DRAWING.
 7. A "D" BEARING FRAME (OIL-FILLED) IS ALSO AVAILABLE.
 8. MOTOR COUPLER AND SHIELD OMITTED FOR CLARITY.



UNLESS OTHERWISE NOTED
LINEAR DIMS. IN INCHES.
TOLERANCES DECIMAL
FRACTIONS ANGULAR
30° +/-
3000 +/-
DO NOT SCALE DRAWING

DRAWING NO. 6-3-09
CHECK CWR
DESIGN
ENGR

T&T Pump Co. Inc. FAIRHORN, WV 26554

DRAWING TITLE
H/NH77C150
OUTLINE

CAD FILE
NH77C150_OUTLINE

SCALE non-RELEASE DATE 6-3-09 Sheet 1 of 1