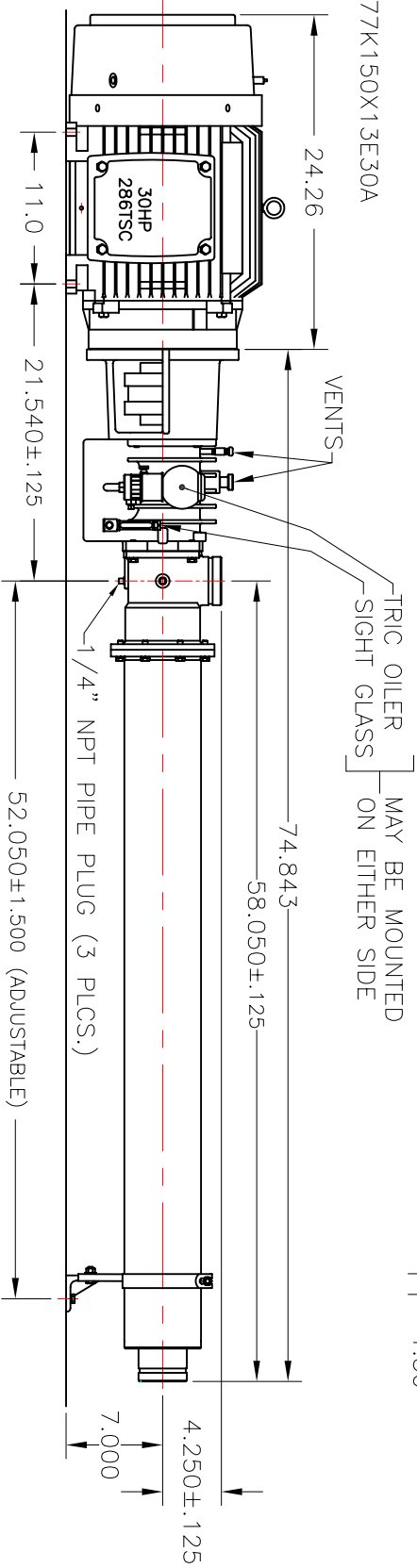


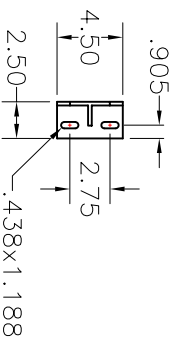
TONKAFLO AS13514KZC

T&T NH77K150X13E30A



NOTES:

1. DIMENSIONS ARE IN INCHES. DIMENSIONS ARE FOR REFERENCE UNLESS OTHERWISE NOTED.
2. INLET CONNECTION MATES WITH 3" VICTAULIC TYPE CLAMPED UNION.
3. DISCHARGE CONNECTION MATES WITH 3" VICTAULIC TYPE CLAMPED UNION.
4. **SPECIAL MECHANICAL MODIFICATIONS MAY SUPERCEDE DIMENSIONS WHICH ARE A FUNCTION OF THE MODIFICATION.**
5. DIMENSIONS RELATED TO OR DEPENDENT ON MOTOR ARE BASED ON STANDARD EFFICIENCY TEFC SIEMENS 286TSC-30HP-60HZ MOTOR REQUIRED FOR FULL RANGE OPERATION.
6. FOR PUMPS REQUIRING DIFFERENT FRAME SIZES THAN SHOWN, CONTACT FACTORY FOR DIMENSIONS.
7. SEE PUMP INSTRUCTION FOR ADDITIONAL INFORMATION ON INSTALLATION, START-UP, AND MAINTENANCE.
8. DIMENSIONS ON AS13514KZC ARE REPRODUCED FROM OSMONICS DATA SHEET.



		UNLESS OTHERWISE NOTED DIMENSIONS IN INCHES TOLERANCES FINISH ANGLUR XXX-/- XXX-/- DO NOT SCALE DRAWING DRAWING MOTOR LAYOUT		T&T PUMP CO. INC. FAIRMONT, WV 26554 DRAWING TITLE NH77K150X13E30A VS AS13514KZC	
		DRAWN CHECK DESIGN ENGR	CWR 4-13-09	DATE FILED NH77K150X13E30A VS AS13514KZC	SCALE A non-RELEASE DATE 4-13-09 Sheet 1 of 1