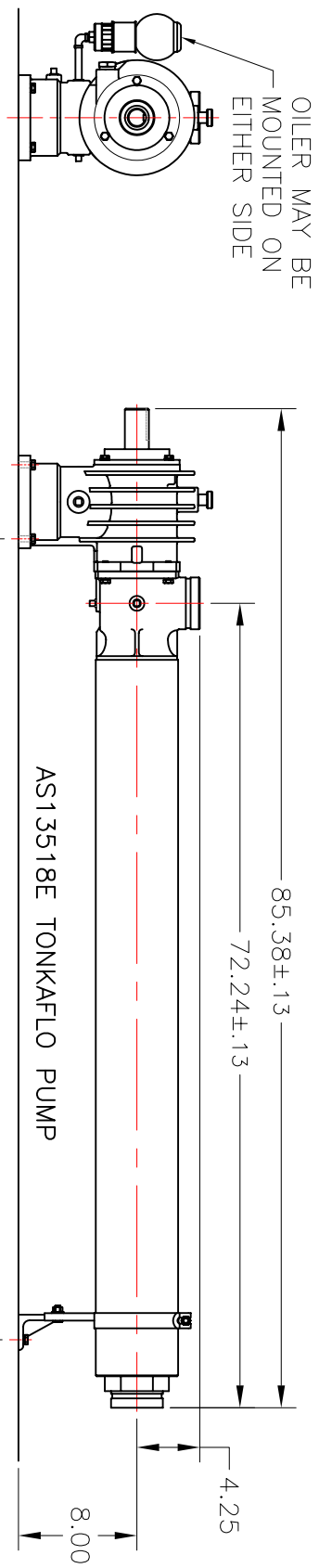
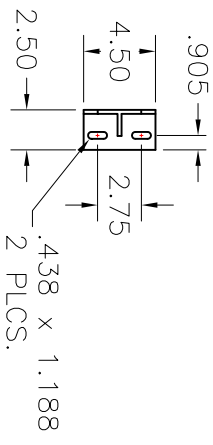
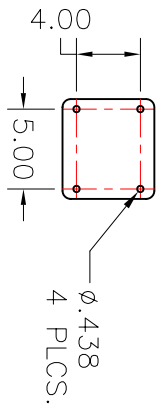
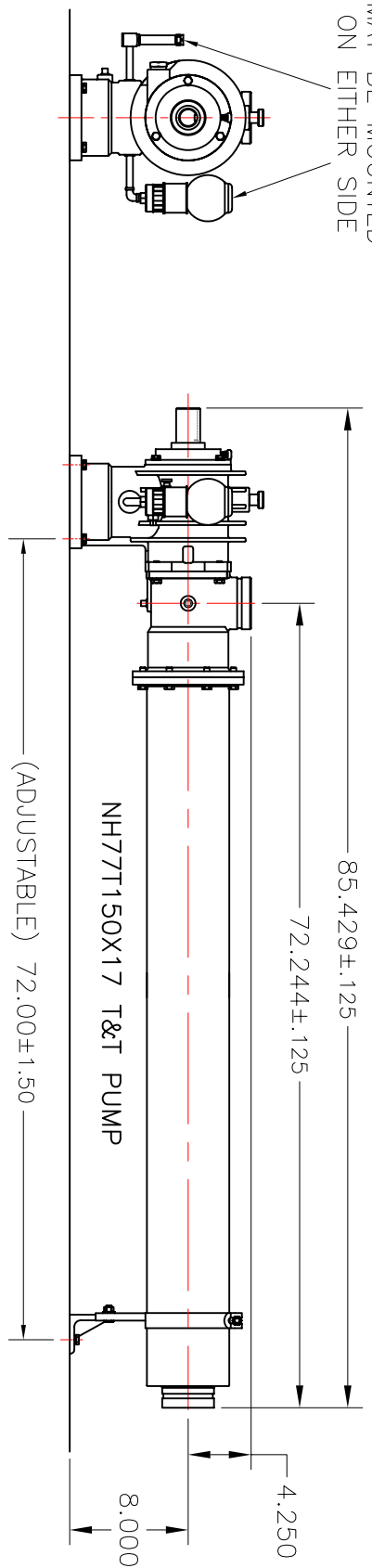



OILER MAY BE MOUNTED ON EITHER SIDE



OILER/SIGHT GLASS MAY BE MOUNTED ON EITHER SIDE



NOTE:
BOTH PUMPS HAVE A 3" VICTAULIC INLET AND VICTAULIC DISCHARGE.



UNLESS OTHERWISE NOTED LINEAR DIMS. IN INCHES TOLERANCES DECIMAL FRACTIONS ANGULAR ±.004 DO NOT SCALE DRAWING Drawing no.		T&T PUMP CO. INC. FAIRHURST WV 26554	
DRAWN	MADE	DRAWING TITLE NH77T150X17 TO AS13518E COMPARISON	
CHECK	DATE		
DESIGN	SCALE		
ENGR	DATE	NH77T150X17 TO AS13518E COMPARISON Sheet 1 of 1	