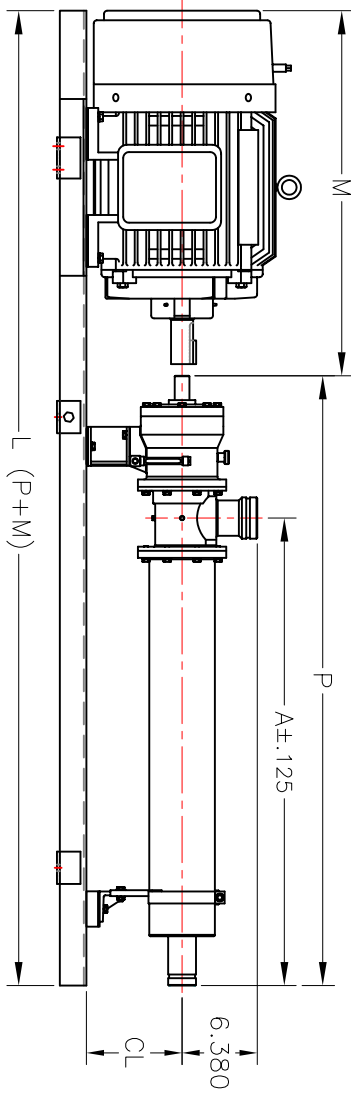
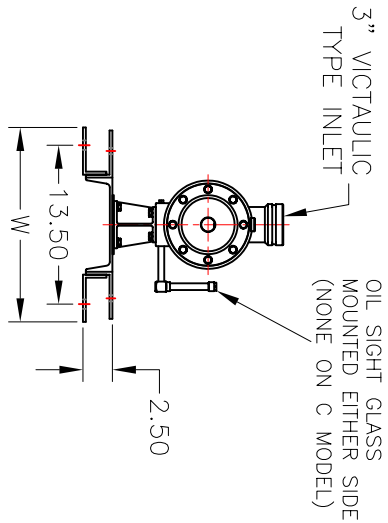
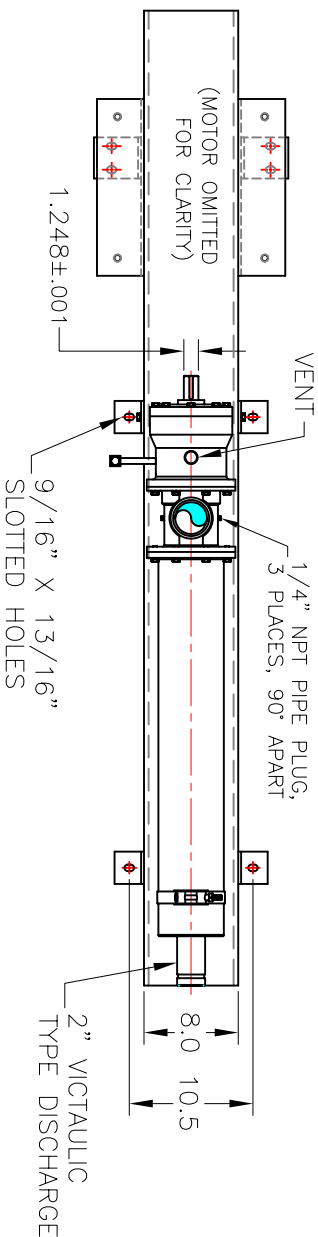


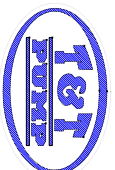
GO TO WWW.TANDPUMP.COM OR CONTACT T&T PUMP FOR DETAILED LAYOUTS OF SPECIFIC APPLICATIONS



HP	NEMA FRAME	CL	M	W
10	215T	6.375	20.1	16.5
15	254T	6.375	23.3	16.5
20	256T	6.375	25.1	16.5
25	284TS	7.125	27.0	16.5
30	286TS	7.125	28.5	16.5
40	324TS	8.125	31.0	16.5
50	326TS	8.125	31.0	16.5
60	364TS	9.125	33.1	16.5
75	365TS	9.125	33.1	21.3

MODEL	A	P
NH80_3	17.68	29.76
NH80_6	25.02	37.10
NH80_7	27.47	39.55
NH80_9	32.36	44.44
NH80_10	42.77	54.85
NH80_12	39.70	51.78
NH80_15	47.04	59.11
NH80_16	49.48	61.56
NH80_18	54.37	66.86
NH80_19	56.82	69.31
NH80_20	59.27	71.76
NH80_21	61.71	74.20
NH80_22	64.16	76.65
NH80_24	69.05	81.54

- NOTES:
1. THIS CATALOG IS INTENDED FOR PRELIMINARY ESTIMATION ONLY.
 2. DIMENSIONS (INCHES) ARE FOR REFERENCE ONLY UNLESS NOTED.
 3. TO CALCULATE TOTAL LENGTH "L", ADD DIMENSIONS P+M.
 4. TO CALCULATE TOTAL HEIGHT "H", ADD DIMENSIONS CL+8.880.
 5. FOR PUMP LENGTHS NOT LISTED, EACH STAGE IS 2.446".
 6. A "D" BEARING FRAME 90L-FILLED) IS DEPICTED IN THIS DRAWING.
 7. A "C" BEARING FRAME (GREASEABLE) IS ALSO AVAILABLE.
 8. MOTOR COUPLER AND SHIELD OMITTED FOR CLARITY.



T&T PUMP CO., INC.

<p>UNLESS OTHERWISE NOTED DIMENSIONS IN INCHES: TOLERANCES DECIMAL 0.004/-0.004 0.004/-0.004 0.004/-0.004 DO NOT SCALE DRAWING</p>	<p>T&T PUMP CO., INC. FAIRHURST, WV 26554</p> <p>DRAWING TITLE H/NH80 OUTLINE</p> <p>DATE 9/16</p> <p>SCALE AS SHOWN</p>
<p>DRAWN CNR</p> <p>CHECK CNR</p> <p>DESIGN CNR</p> <p>ENGR CNR</p>	<p>DATE 9/16</p> <p>SCALE AS SHOWN</p> <p>SCALE non-RELEASE DATE 6-4-09 Sheet 1 of 1</p>