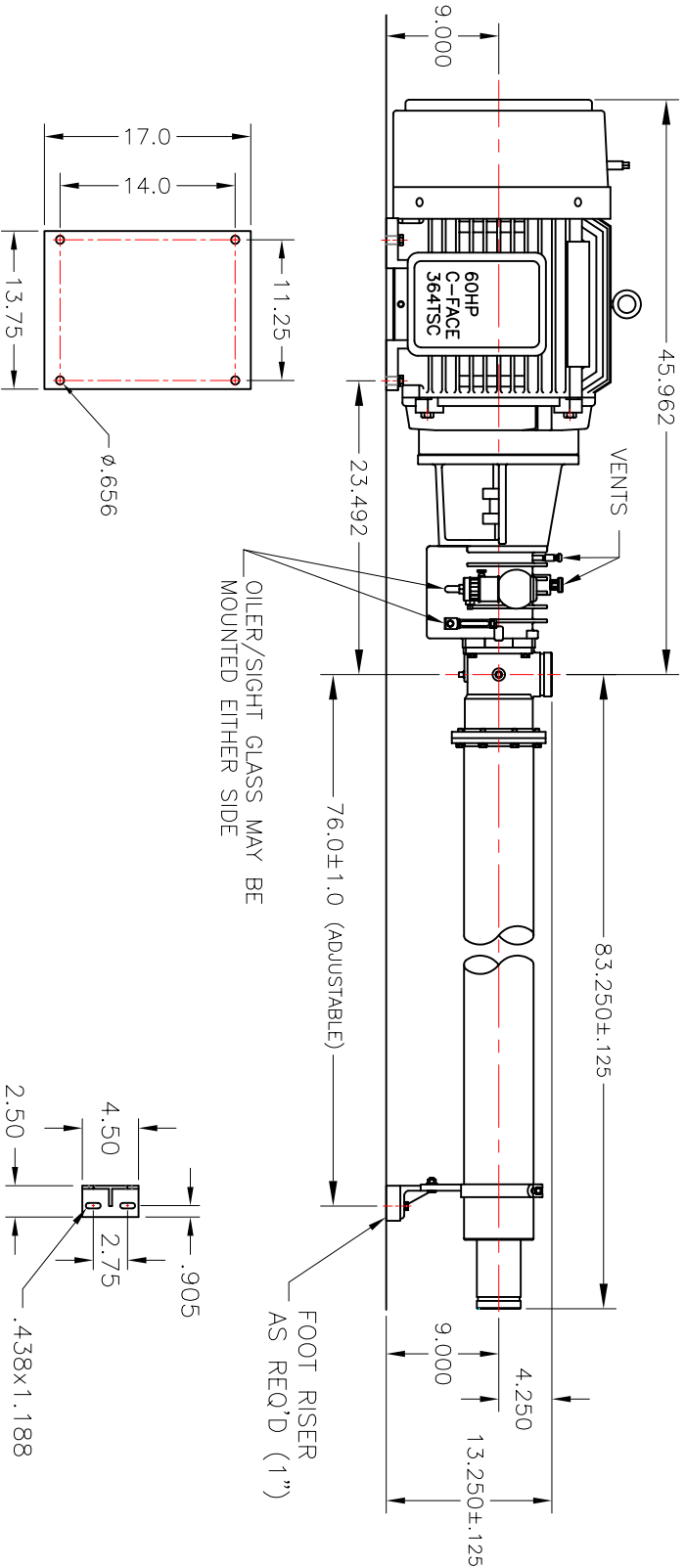
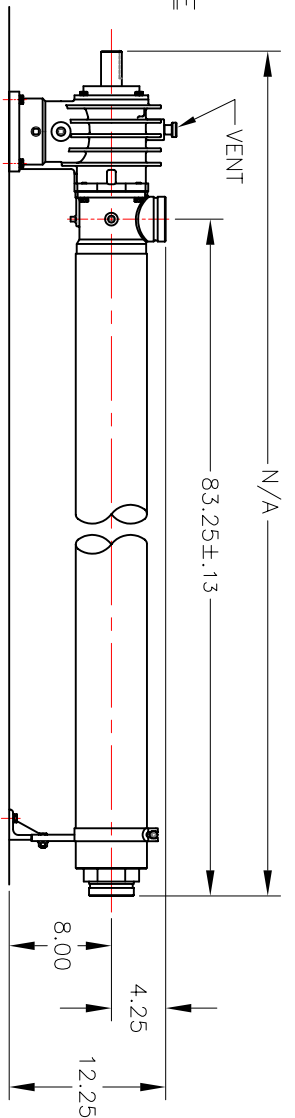


T&T NH81K250F16E60A

TONKAFLO AS21019E



NOTES:

1. DIMENSIONS ARE IN INCHES. DIMENSIONS ARE FOR REFERENCE UNLESS NOTED.
2. INLET CONNECTION MATES WITH 3" OR 4" VICTAULIC TYPE CLAMPED UNION. CONTACT THE FACTORY TO SPECIFY. NO CHANGE IN ASSOCIATED DIMENSIONS.
3. DISCHARGE CONNECTION MATES WITH 3" VICTAULIC TYPE CLAMPED UNION.
4. SPECIAL MECHANICAL MODIFICATIONS MAY SUPERCEDE DIMENSIONS WHICH ARE A FUNCTION OF THE MODIFICATION.
5. DIMENSIONS RELATED TO OR DEPENDENT ON MOTOR ARE BASED ON STANDARD EFFICIENCY TEFC SIEMENS 364TSC-60HP-60HZ REZESD MOTOR REQUIRED FOR FULL RANGE OPERATION.
6. FOR PUMPS REQUIRING DIFFERENT FRAME SIZES, CONTACT FACTORY FOR DIMENSIONS.
7. SEE PUMP INSTRUCTION FOR ADDITIONAL INFORMATION ON INSTALLATION, START-UP, AND MAINTENANCE.



UNLESS OTHERWISE NOTED LINEAR DIMS. IN INCHES. TOLERANCES DECIMAL XXX.X/-		TYPICAL ANGULAR X/-	
DO NOT SCALE DRAWING			
Drawing no.			
DRAWN	CWFC	9-15-08	
CHECK			
DESIGN			
ENGR			
DRAWING TITLE		T&T PUMP CO. INC. FAIRHONT WV 26594	
NH81K250F16E60A TO AS21019E COMPARISON		CAD FILE	
NH81K250F16E60A TO AS21019E		SCALE non/RELEASE DATE 9-15-08 Sheet 1 of 1	