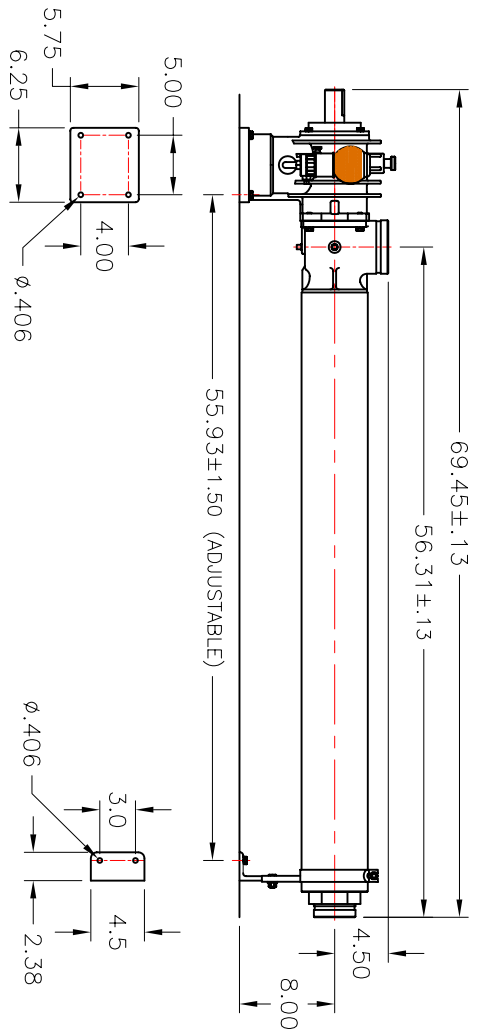



T&T PUMP NH8213F9

TONKAFL0 SS24011E



- NOTES:
1. DIMENSIONS ARE IN INCHES. DIMENSIONS ARE FOR REFERENCE UNLESS OTHERWISE NOTED.
 2. BOTH PUMPS HAVE A 4" INLET AND 3" DISCHARGE VICTAULIC.



UNLESS OTHERWISE NOTED
 LINEAR DIMS. IN INCHES
 TOLERANCES DECIMAL
 .0004+/- FINEST ANGLE
 .0004+/- DO NOT SCALE DRAWING
 +/-

DRAWN	CWR	7-08-08
CHECK		
DESIGN		
ENGR		

T&T PUMP CO. INC. FAIRBORN, WV 26554

DRAWING TITLE

NH8213F9 TO SS24011E

COMPARISON

CAD file

NH8213F9 TO SS24011E COMPARISON

SCALE: none RELEASE DATE: 7-08-08 Sheet 1 of 1