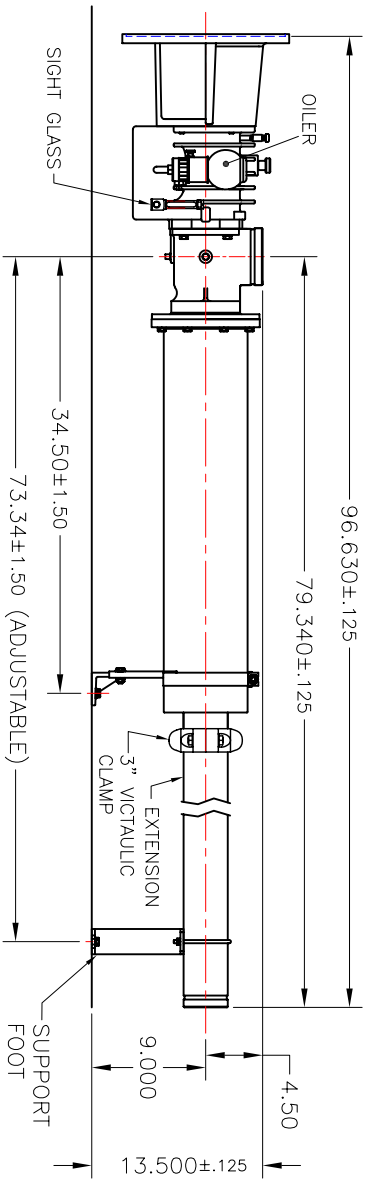
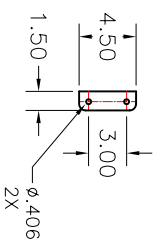
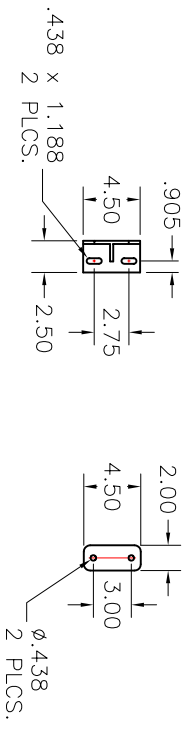


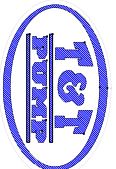
TONKAFLO
SS24016KZE



T&T PUMP
NH82K3F13



- NOTES:
1. DIMENSIONS ARE IN INCHES. DIMENSIONS ARE FOR REFERENCE UNLESS OTHERWISE NOTED.
 2. BOTH PUMPS HAVE A 4" INLET AND 3" DISCHARGE VICTAULIC.

		UNLESS OTHERWISE NOTED LINEAR DIMS. IN INCHES TOLERANCES DECIMAL FRACTIONS ANGULAR ± .0004 ± .0004 ± .0004 DO NOT SCALE DRAWING	
		DRAWING TITLE NH82K3F13 TO SS24016KZE COMPARISON	
DRAWN CWR 7-16-09	CHECKED CWR 7-16-09	SCALE A	DATE 7-16-09
T&T PUMP CO. INC. FAIRMONT, WV 26554		SHEET 1 OF 1	