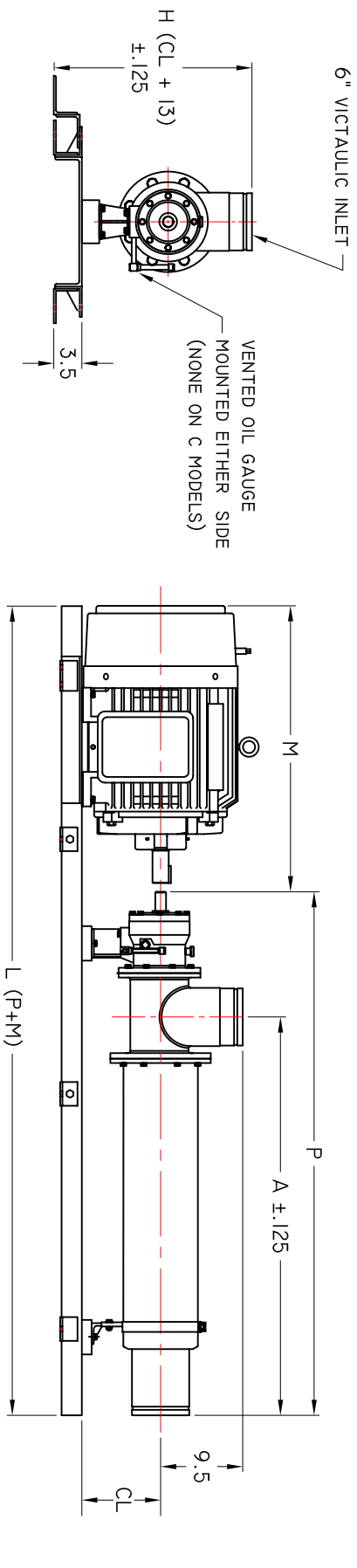
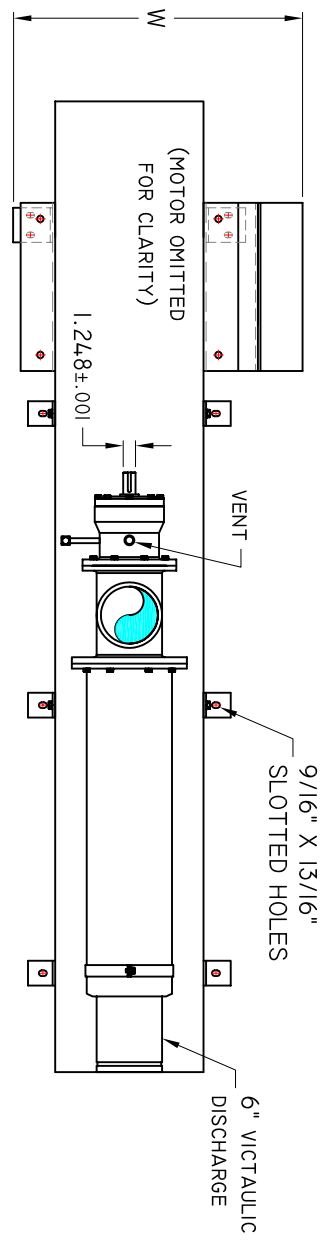



GO TO WWW.TANDPUMP.COM OR CONTACT T&T PUMP FOR DETAILED LAYOUTS OF SPECIFIC APPLICATIONS



MODEL	A	P
NH83_1	19.66	34.09
NH83_2	25.78	40.21
NH83_3	31.90	46.33
NH83_4	38.02	52.45
NH83_5	44.14	58.58
NH83_6	50.27	64.70
NH83_7	56.39	70.82
NH83_8	62.51	76.94
NH83_9	68.63	83.06
NH83_10	74.75	89.19
NH83_11	80.88	95.31
NH83_12	87.00	101.43

HP	NEMA FRAME	CL	M	W
30	286TS	8.125	28.5	23.5
40	324TS	8.125	31.0	23.5
50	326TS	8.125	31.0	23.5
60	364TS	9.125	33.1	20.5
75	365TS	9.125	33.1	27
100	405TS	10.125	38.0	27
125	444TS	11.125	43.3	30
150	445TS	11.125	44.3	30
200	447TS	11.125	47.9	30
250	449TS	11.125	52.8	30
300	449TS	11.125	52.8	30

- NOTES:
1. THIS CATALOG IS INTENDED FOR PRELIMINARY ESTIMATION ONLY.
 2. DIMENSIONS (INCHES) ARE FOR REFERENCE ONLY UNLESS NOTED.
 3. TO CALCULATE TOTAL LENGTH "L", ADD DIMENSIONS P+M.
 4. TO CALCULATE TOTAL HEIGHT "H", ADD DIMENSIONS CL+13.
 5. FOR PUMP LENGTHS NOT LISTED, EACH STAGE IS 6.122"
 6. MOTOR COUPLER AND SHIELD OMITTED FOR CLARITY.



T&T PUMP

<p>UNLESS OTHERWISE NOTED LINEAR DIMS IN INCHES TOLERANCES DECIMAL .XXX+- .XX+- .X+- ANGULAR +/-</p> <p>DO NOT SCALE DRAWING</p> <p>DRAWN CWR 5-29-09 CHECK DESIGN ENGR</p>	<p>T&T PUMP CO. INC. FAIRHURST WV 26594</p> <p>DRAWING TITLE H/NH83 OUTLINE 625 & 800 GPM</p> <p>DWG SIZE A CAD FILE NH83_625-800 OUTLINE SCALE NONE RELEASE DATE 5-29-09 SHEET 1 OF 1</p>
---	--