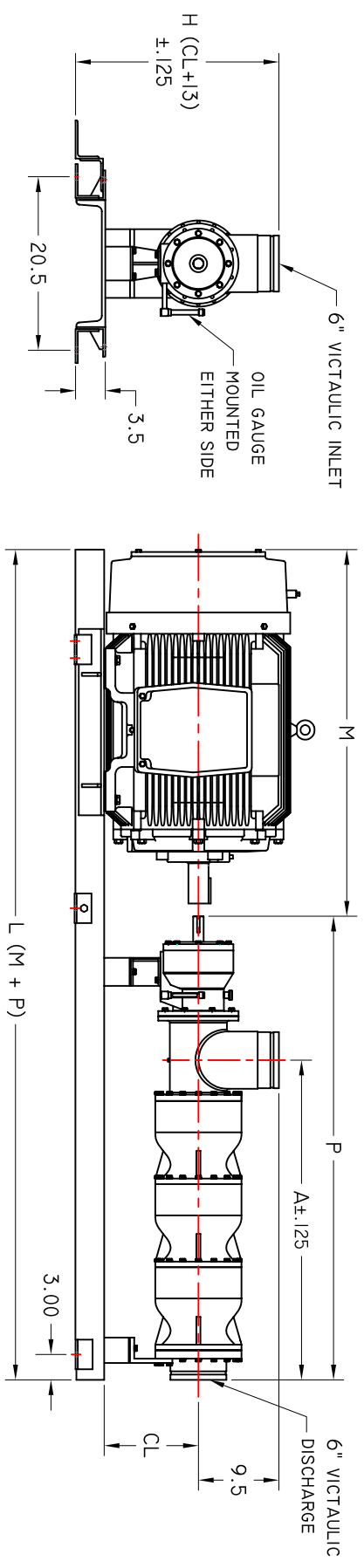
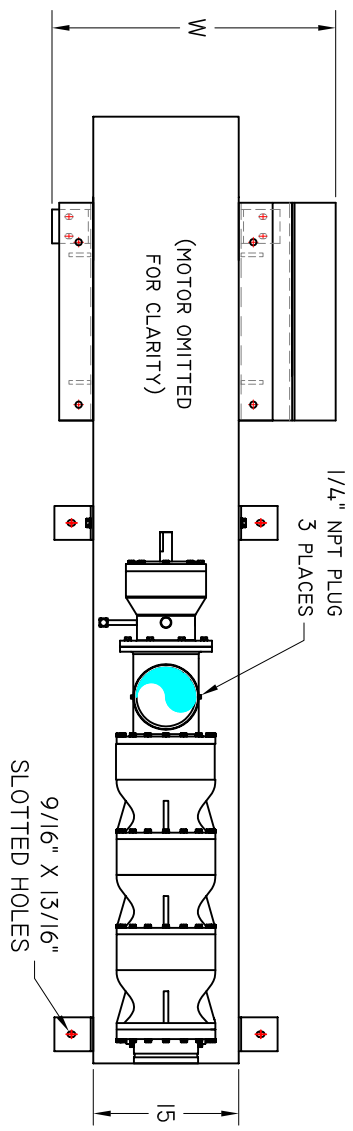



GO TO WWW.TANDPUMP.COM OR CONTACT T&T PUMP FOR DETAILED LAYOUTS OF SPECIFIC APPLICATIONS



MODEL	A	P
H85G10AX1	18.141	35.141
H85G10AX2	27.953	44.953
H85G10AX3	37.765	54.765

HP	NEMA FRAME	CL	M	W
50	326TS	8.125	31.0	23.5
60	364TS	9.125	33.1	20.5
75	365TS	9.125	33.1	27
100	405TS	10.125	38.0	27
125	444TS	11.125	43.3	30
150	445TS	11.125	44.3	30
200	447TS	11.125	47.9	30
250	449TS	11.125	52.8	30

- NOTES:
1. THIS CATALOG IS INTENDED FOR PRELIMINARY ESTIMATION ONLY.
 2. DIMENSIONS (INCHES) ARE FOR REFERENCE ONLY UNLESS NOTED.
 3. TO CALCULATE TOTAL LENGTH "L", ADD DIMENSIONS P+M.
 4. TO CALCULATE TOTAL HEIGHT "H", ADD DIMENSIONS CL+13.
 5. FOR PUMP LENGTHS NOT LISTED, EACH STAGE IS 9.813"
 6. MOTOR COUPLER AND SHIELD OMITTED FOR CLARITY.



UNLESS OTHERWISE NOTED
 LINEAR DIMS IN INCHES
 TOLERANCES DECIMAL
 .XXX/-
 .XXX/+
 .XXX/±
 ANGULAR
 ±°

DRAWING TITLE
H85G10AX_ OUTLINE

DRAWN MDR 6-15-09
 CHECK []
 DESIGN []
 ENGR []

T&T PUMP CO. INC. FAIRMONT, WV 26554

SCALE: NOM. RELEASE DATE: 6-15-09 SHEET 1 OF 1