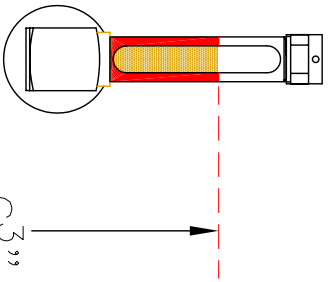


MOTOR →

← PUMP

GLOBE APPROX.
3/4 FULL

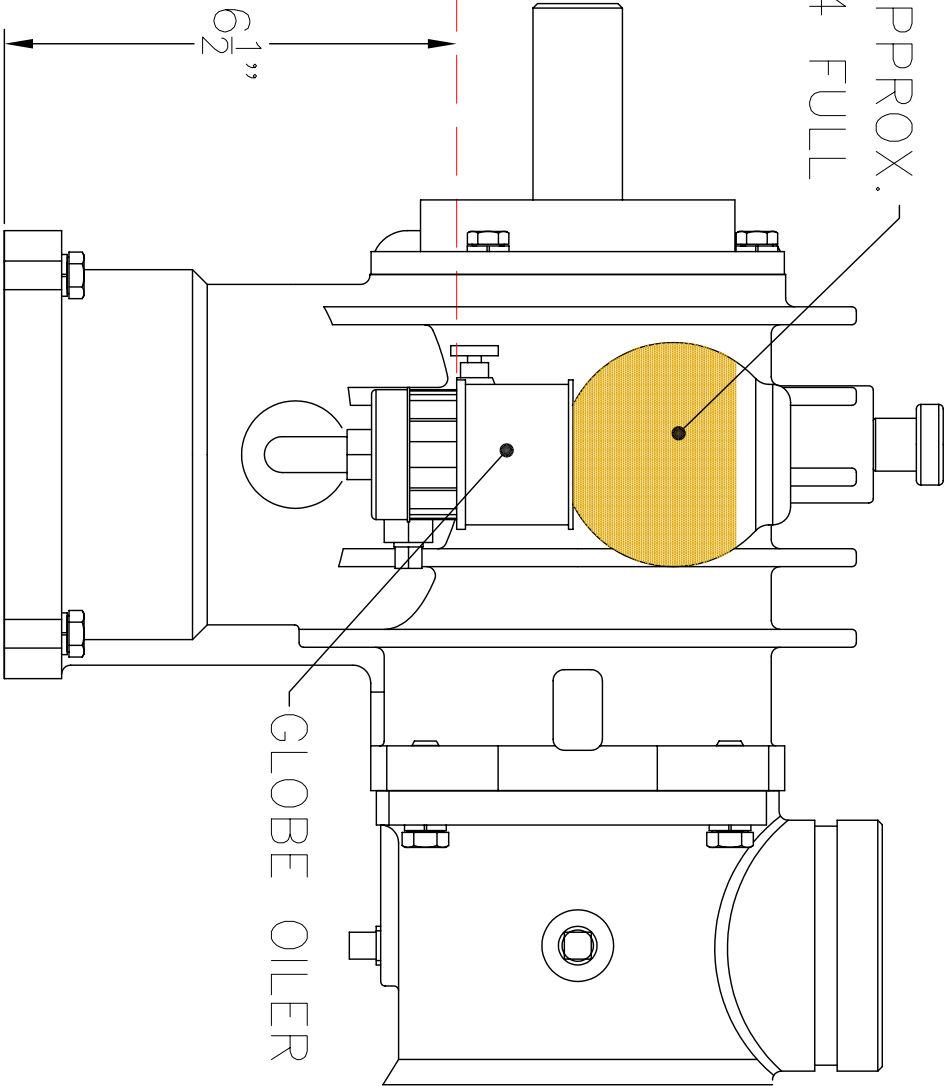
COLD--FILLED
OIL LEVEL




6 3/8"

6 1/2"

(OPPOSITE SIDE)
SIGHT GLASS LEVEL--
WILL DRAW DOWN SLIGHTLY
WHILE RUNNING



GLOBE OILER

		UNLESS OTHERWISE NOTED	
		LINEAR DIMS. IN INCHES.	ANGULAR
XXX/XX	FINISH	±	±
DRAWING IN: 1/8" = 1"		SCALE DRAWING	
DRAWN	CHKR	2-27-08	
CHECK			
DESIGN			
ENGR			
T&T PUMP CO. INC. FAIRMONT, WV 26554		DRAWING TITLE	
		T FRAME GLOBE OILER	
		DIAGRAM LABEL	
SCALE: none		CAD FILE	
RELEASE DATE: 2-27-08		T FRAME GLOBE OILER LABEL	
Sheet 1 of 1			